

Features

1.0" digit height (Digital)
High segment intensity
Range of colours
Multiplexing capability
ROHS Compliant

Options

Black or Grey face colour
Colored segments
Copper terminal pins
Long terminal pins
Low current version



Electro Optical Characteristics $I_F = 20\text{mA}$ ($T_A = 25^\circ\text{C}$)

Part Number (2 LED's per seg.)		Emitting Colour	Wavelength Peak λ_P (nm)	Forward voltage V_F (V)	
Common Cathode	Common Anode			Typical	Max
100W1B SB	100W1A SB	Superbright Blue	460	5.8	6.4
100W1B UB	100W1A UB	Ultrabright Blue	460	5.8	6.4
100W1B SG	100W1A SG	Superbright Pure Green	530	6.0	6.8
100W1B UG	100W1A UG	Ultrabright Pure Green	530	6.0	3.4
100W1B UYG	100W1A UYG	Superbright Yellow Green	560	4.0	4.4
100W1B UOR	100W1A UOR	Ultrabright Amber	610	3.8	4.4
100W1B UY	100W1A UY	Ultrabright Yellow	590	3.8	4.2
100W1B SR	100W1A SR	Superbright Red	650	3.8	4.2
100W1B UR	100W1A UR	Ultrabright Red	660	3.8	4.2

Part Number (1 LED per seg.)		Emitting Colour	Wavelength Peak λ_P (nm)	Forward voltage V_F (V)	
Common Cathode	Common Anode			Typical	Max
100W1D SB	100W1C SB	Superbright Blue	460	2.9	3.2
100W1D UB	100W1C UB	Ultrabright Blue	460	2.9	3.2
100W1D SG	100W1C SG	Superbright Pure Green	530	3.0	3.4
100W1D UG	100W1C UG	Ultrabright Pure Green	530	3.0	3.4
100W1D UYG	100W1C UYG	Superbright Yellow Green	560	2.0	2.2
100W1D UOR	100W1C UOR	Ultrabright Amber	610	1.9	2.2
100W1D UY	100W1C UY	Ultrabright Yellow	590	1.9	2.1
100W1D SR	100W1C SR	Superbright Red	650	1.9	2.1
100W1D UR	100W1C UR	Ultrabright Red	660	1.9	2.1

Absolute Maximum Ratings $T_a=25^\circ\text{C}$

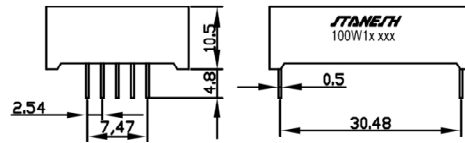
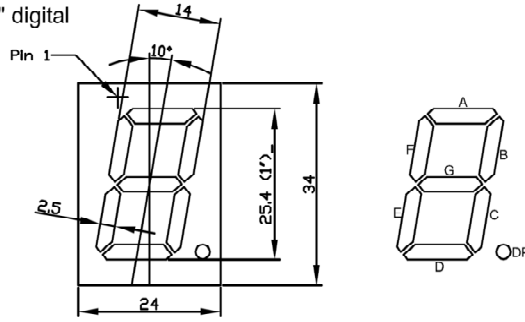
Characteristic	Symbol	Rating	Unit
DC forward current	I_F	20	mA
Reverse Voltage ²	V_R	5	V
Operating Temperature	T_{opr}	-25 to +80	$^\circ\text{C}$
Storage Temperature	T_{stg}	-30 to +85	$^\circ\text{C}$
Lead Soldering Temperature ¹	-	260	$^\circ\text{C}$

¹ 1.6mm from body – max 3 seconds

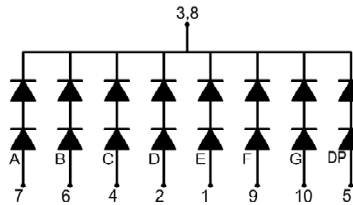
² for 2 LED version $V_R=10\text{V}$

100W1x xxx

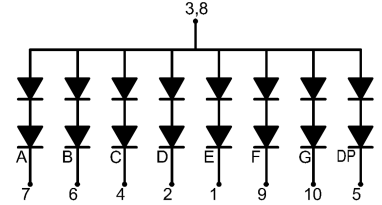
1.0" digital



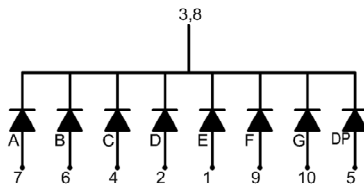
100W1B xxx
Common cathode



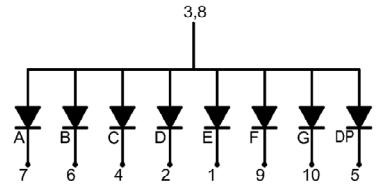
100W1A xxx
Common anode



100W1D xxx
Common cathode



100W1C xxx
Common anode



**Specifications may change due to new materials or product improvement*